

PHILIPS



Sensors

EasyAir

2B, 4B switches



Datasheet

Philips EasyAir Switches

Philips EasyAir 2B and Philips EasyAir 4B switches are wireless switches working together with EasyAir SNS210 MC, EasyAir SNH(B)210 MC, EasyAir SNS200 or EasyAir SNH200 sensors.

- Easy to install and maintenance-free
- No wiring or power connections
- No battery needed
- Low mechanical force needed to operate devices

Ordering Information

Commercial product name	Colour	Description	EOC	12NC	Carton Quantity
Philips EasyAir 4B switch	White	4 button	871951428077900	9290 028 21806	10
Philips EasyAir 2B switch	White	2 button	871951428079300	9290 028 21906	10

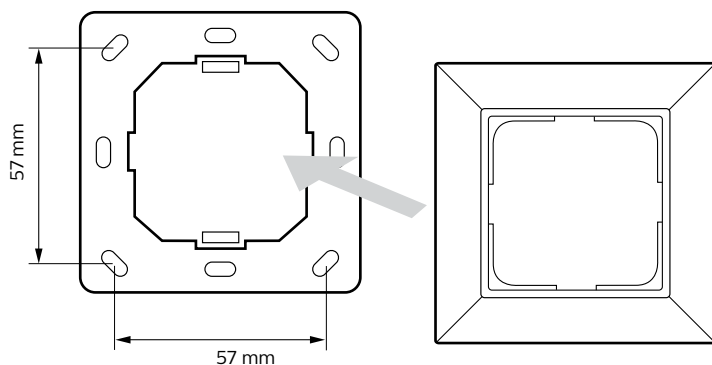
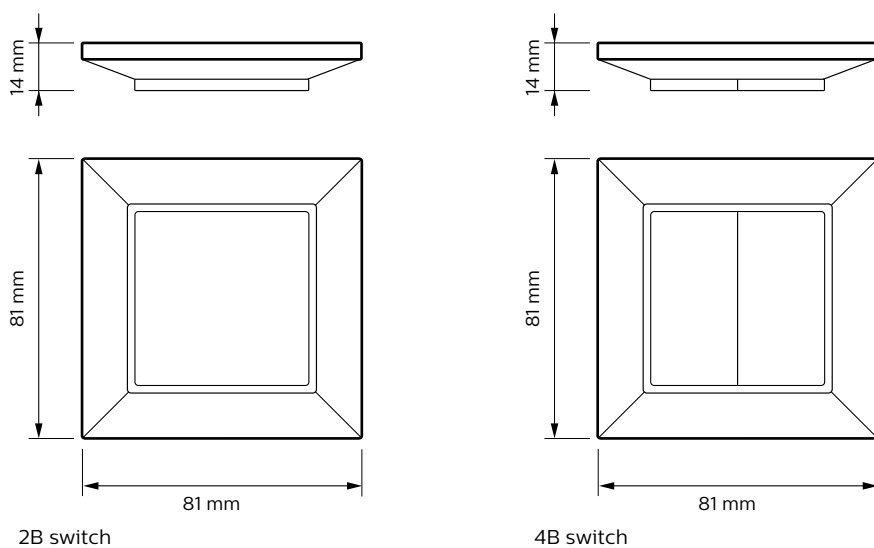
Product data

Switch functions	on/off, dimming, scene setting (4B switch only)
Range	within one room (up to 10m line of sight)
Overall dimensions	81mm x 81mm x 14mm
Net weight per piece	58 g
Mounting	gluing (double-sided mounting film enclosed), screwing onto flat surface
Energy source	electro-dynamic energy generator, maintenance free
Frequency	2.4 GHz / ZigBee Green Power (ZGP)
Lifetime	> 50.000 actuations (switching cycles) according to EN 60669 / VDE 0632
Operating Ambient Temperature Range	-25 °C to 65 °C
Operating Humidity	0 ... 95% r.h., non-condensing (dry environment only)
Agency Approbations	CE, RED, FCC, IC
Radio compliance	the radio equipment is in compliance with Directive 2014/53/EU.
Warranty	1 year warranty

Compatible sensors

9290 007 66803	EasyAir SNS200/w
9290 005 60703	EasyAir SNS200/g
9290 016 51206	EasyAir SNS200/b
9290 007 90206	EasyAir SNS200CMP
9290 016 25706	EasyAir SNH200
9290 034 12306	EasyAir SNS210/w MC
9290 034 12406	EasyAir SNS210/g MC
9290 034 12506	EasyAir SNS210/b MC
9290 028 32206	EasyAir SNH210 MC
9290 028 32306	EasyAir SNHB210 MC

Dimensional drawings



For mounting see Installation Instructions

The rocker of the switch should not be removed. It can result in malfunction.



© 2023 Signify Holding. All rights reserved. The information provided herein is subject to change, without notice. Signify does not give any representation or warranty as to the accuracy or completeness of the information included herein and shall not be liable for any action in reliance thereon. The information presented in this document is not intended as any commercial offer and does not form part of any quotation or contract, unless otherwise agreed by Signify.

www.lighting.philips.co.uk/oem-emea/products/connected-lighting

Philips and the Philips Shield Emblem are registered trademarks of Koninklijke Philips N.V. All other trademarks are owned by Signify Holding or their respective owners.
UK importer address: 3 Guildford Business Park, GU2 8XG

02/2023
Data subject to change